

PA-DISPLAY

ParkAlert Display User Manual



Introduction

Congratulations on purchasing your EchoMaster Pro Display for your ParkAlert Sensor System.

This display can be used with the following kits:

- ▶ PS-RBP-B/M/S/W
- ▶ PS-FBP-B/M/S/W
- ▶ PS-TRUCK-M/S

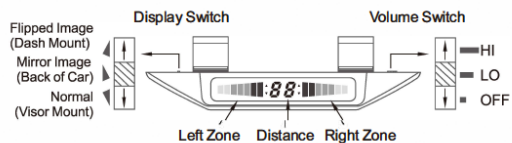
Box Contents

- ▶ Display
- ▶ Harness for Rear Sensor System
- ▶ Harness for Front Sensor System
- ▶ Warranty Card
- ▶ Installation Guide

Key Features

- ▶ Color bar indicators
- ▶ Distance display
- ▶ Volume control
- ▶ OE sounding tone
- ▶ Settings for multi-mounting options

Operation

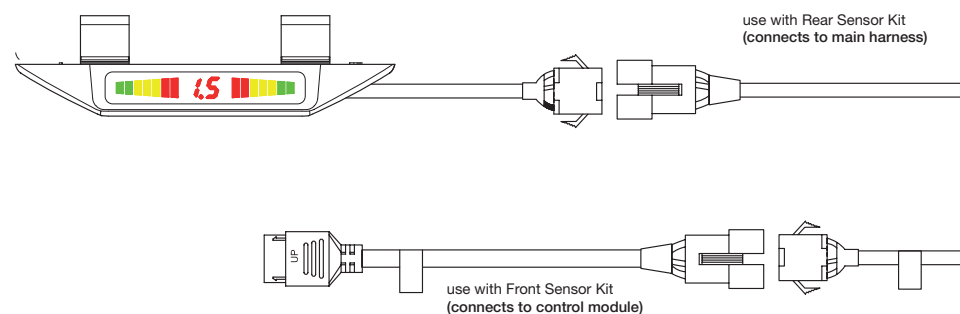


Set display switch to proper setting based on mounting position. Set volume switch to desired level. If a sensor is found defective during diagnostics, the display will indicate which sensor has an error by displaying E1, E2, E3, E4, or EE (all sensors)

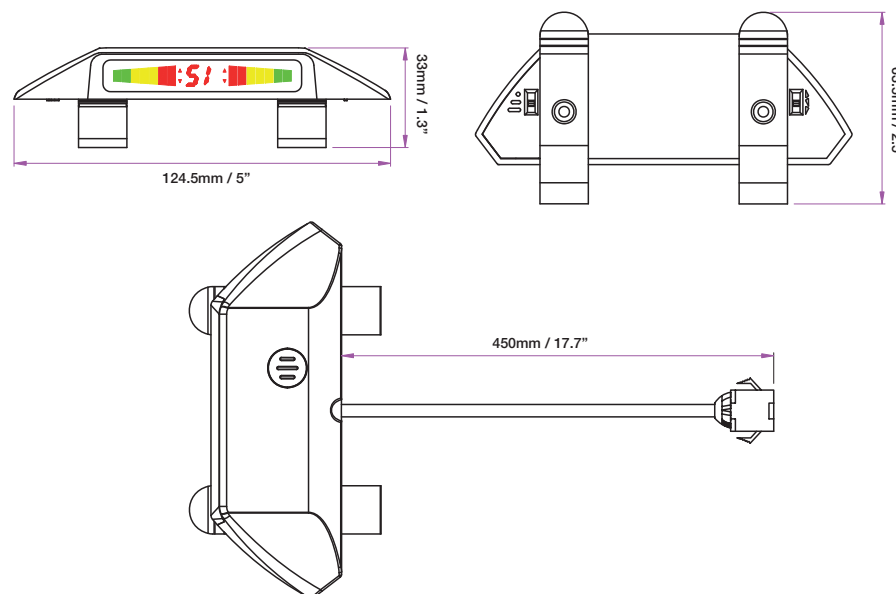
Specifications

PA-DISPLAY	
Operating Voltage Range	9 - 16 VDC
Rated Voltage	12 VDC
Rated Current	110mA max
Operating Temperature	-30C - +70C

Wiring Diagram



Dimensions (mm/inches)



EchoMaster.com
EchoMaster is a Power Brand of AAMP Global



15500 Lightwave Drive, Suite 202
Clearwater, Florida 38760
email - support@aampglobal.com (US)
email - technical.eu@aampglobal.com (Europe)

