

## KIT ASSEMBLY INSTRUCTIONS

### Double DIN Mount Applications

1. Remove the Shaded tab from the back edge of each left and right mounting bracket (right side not shown).
2. Cut and remove center rib from main bracket and file smooth.
3. Attach the left and right side brackets to the main bracket (See Figure D).
4. Insert ISO mountable radio between ISO mount brackets and loosely attach to sides of radio using screws provided with radio when possible or hardware included with kit.

**NOTE:** Use longer screws in kit for upper radio location.

5. Slide radio component forward or backward for desired look and tighten screws.
6. Attach a rear support bracket to the rear of the new radio and adjust as necessary to attach to the rear support stud located on the back of the pocket using the small phillips screw supplied with kit (optional). Phillips screw supplied with kit (optional).
7. Attach (1) of the metal spring clips included to each of the (2) mounting studs on the rear side of the kit.
8. Reinstall climate controls.

**NOTE:** ISO trim ring (UNIT2) may be used in place of after-market radio's trim rings. For ISO mount applications, mount after-market radio components to side brackets using screws provided with radio when possible or hardware included with kit.

Attach (1) ISO Spacer to the inside of upper sections on both Left & Right mounting brackets as shown in **Fig. B**.

Remove the Shaded tab from the back edge of each left and right mounting bracket (right side not shown).

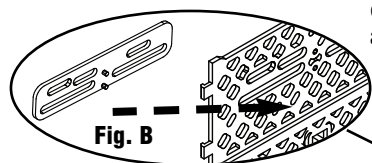
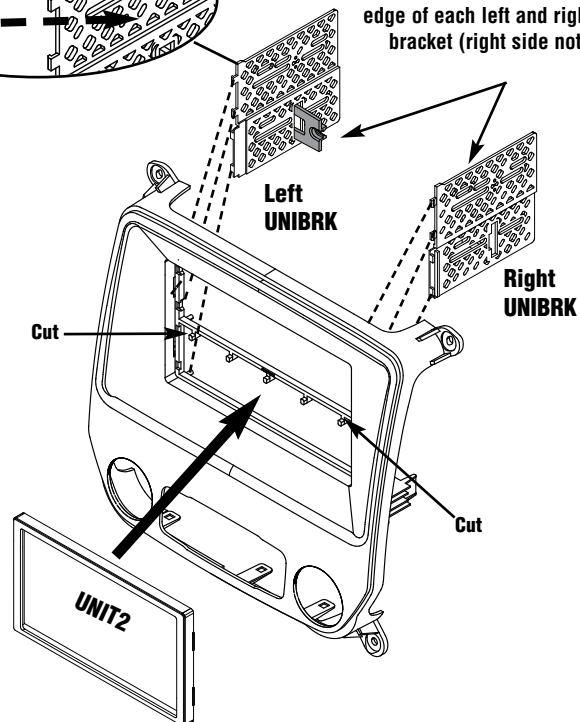
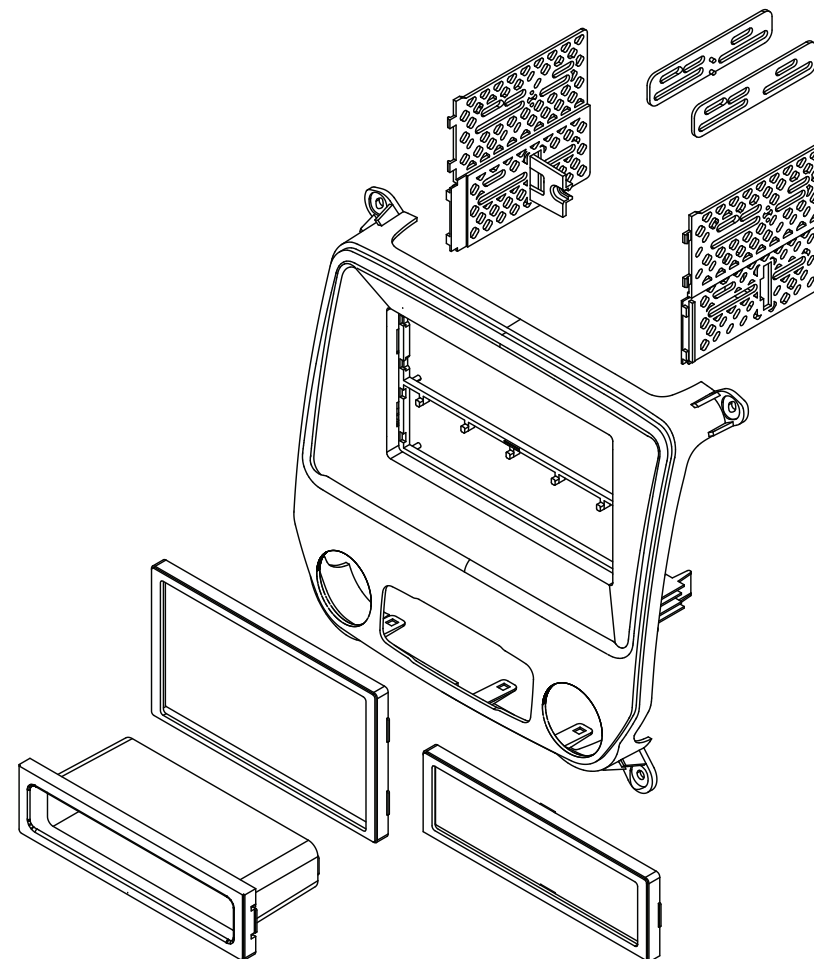


Fig. D



# American International

Car Stereo Installation Kits & Accessories



### VEHICLE APPLICATIONS

#### Chevrolet

2014-17 SILVERADO  
2015-17 SILVERADO HD

#### GMC

2014-17 SIERRA  
2015-17 SIERRA HD

**NOTE: THIS INSTALLATION KIT REQUIRES PROFESSIONAL INSTALLATION. MAJOR SUB-DASH MODIFICATION IS REQUIRED TO FIT RADIO. SUGGESTED: MOVE ONSTAR TO LOWER SUB-DASH LOCATION.**

**CUSTOMER HELP LINE**

USA 800-323-4329 • Canada 800-245-8777

iGMK325BM

©2017 AMERICAN INTERNATIONAL INDUSTRIES, INC.

TECH Ver. 7/17 PRINT Ver. 7/17

# GMK325BM Mounting Kit

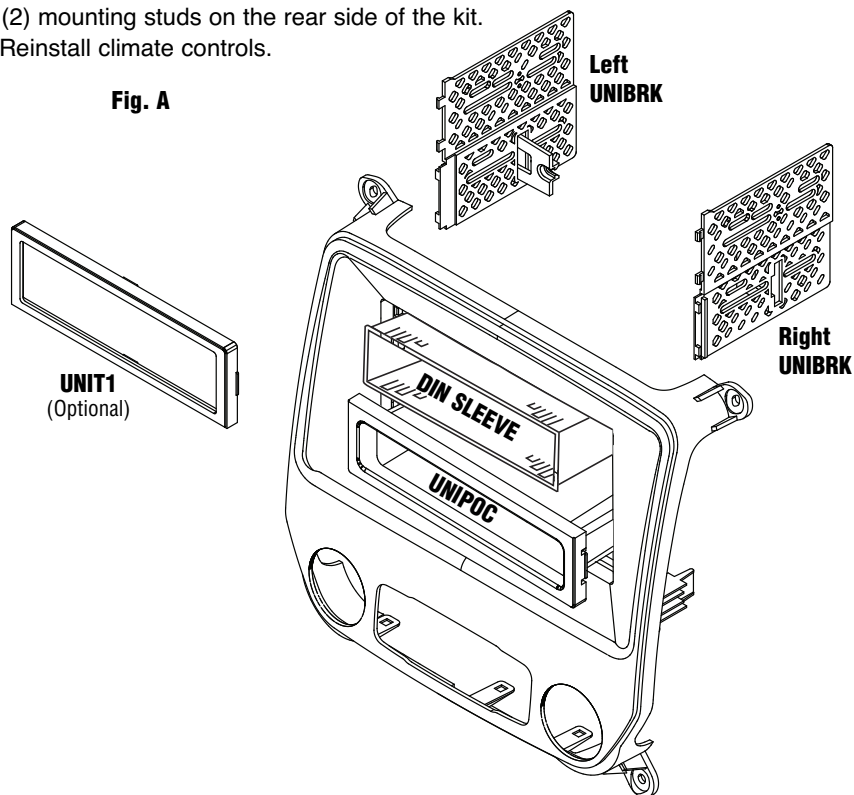
## DASH DISASSEMBLY INSTRUCTIONS

1. Unsnap and remove center dash trim piece from around the radio and climate controls.
2. Remove (4) screws from the radio and climate controls.
3. Remove radio and climate controls. Unplug all harnesses and antenna connections.
4. Remove the climate controls, to be installed into GMK325 panel.

## KIT ASSEMBLY INSTRUCTIONS

### Single DIN Mount Applications

1. Attach the left and right side brackets to the main bracket.
2. Insert pocket (part # UNIPOC) into lower section of the main frame.
3. Attach left and right side brackets to the rear of the pocket using screws supplied.
4. Insert DIN sleeve from your new radio into the upper section of the installation kit.
5. Depress the tabs from inside the sleeves opening upward, outward, and downward to secure sleeve to the installation kit.
6. Install radio into sleeve and lock into place.
7. Attach a rear support bracket to the rear of the new radio and adjust as necessary to attach to the rear support stud located on the back of the pocket using the small phillips screw supplied with kit (optional).
8. Attach (1) of the metal spring clips included to each of the (2) mounting studs on the rear side of the kit.
9. Reinstall climate controls.



## KIT ASSEMBLY INSTRUCTIONS

### Single ISO Mount Applications

1. Attach the left and right side brackets to the main bracket (See Figure C).
2. Insert pocket (part # UNIPOC) into lower section of the main frame.
3. Attach left and right side brackets to the rear of the pocket using screws supplied.
4. Attach (1) ISO Spacer to the inside of upper section on both Left & Right mounting brackets as shown in Fig. B.
5. Insert ISO mountable radio between ISO mount brackets and loosely attach to sides of radio using screws provided with radio when possible or hardware included with kit.  
**NOTE:** Use longer screws in kit for upper radio location.
6. Slide radio component forward or backward for desired look and tighten screws.
7. Attach a rear support bracket to the rear of the new radio and adjust as necessary to attach to the rear support stud located on the back of the pocket using the small phillips screw supplied with kit (optional).  
**NOTE:** ISO trim ring (UNIT1) may be used in place of after-market radio's trim rings.
8. Attach (1) of the metal spring clips included to each of the (2) mounting studs on the rear side of the kit.
9. Reinstall climate controls.

