



OPERATION MANUAL

GROM-MST4

**MP3 USB Android iPhone car stereo adapter kit
for fiber-optic stereos**

Optional Bluetooth and AUX-in extensions

MODEL: GROM-MST4-VOLS

Fits to the following makes:

Volvo S40 2005-2012 Single CD

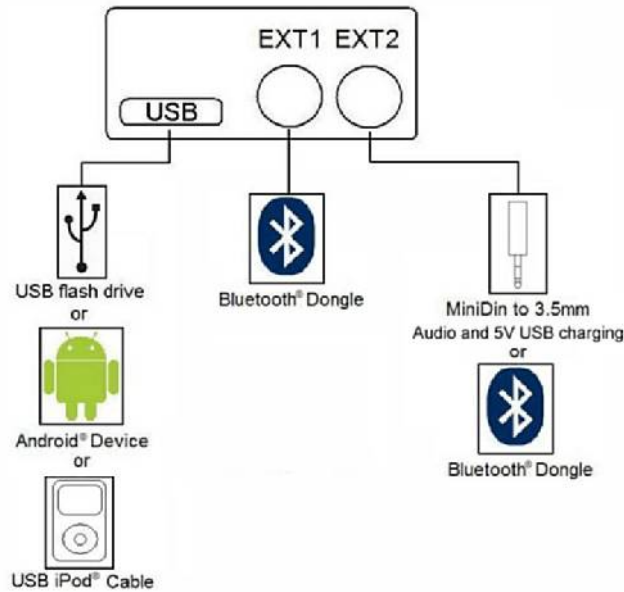
Volvo V50 2006-2012 Single CD

Volvo C70 2006-2012 Single CD

Volvo S60 2010-2012 Single CD

Volvo XC90 2007-2013 Single CD

1. EXT1-EXT2 PORTS - Accessories Cables Connection



Connect the cables to the appropriate slots available on GROM-MST4 (see above illustration).

EXT1- connect GROM Bluetooth Dongle

EXT2- connect GROM Bluetooth Dongle or AUX-In 3.5mm cable

Note: You can connect GROM Bluetooth Dongle to either the EXT1 or EXT2, and AUX cable only to the EXT2.

2. Differences between Single CD and 6CD stereos

Volvo XC90 2007-2013 and Volvo S40/S60/V50 Single CD and 6CD stereos may look similar or exactly the same. But Single CD stereo requires different firmware flashed on the GROM main unit. If you have 6 CD stereo, please update your firmware to the correct one at <http://www.gromaudio.com/software.html> and refer to the usage manual for Volvo 6CD stereos.

3. Quick operation steps

3.1 MODE Selection

1. Press Mode/CD to enter GROM mode
2. You will be using Tuning/Selector knob to switch between MODES (USB and AUX).

TRACK 20 = USB Mode.

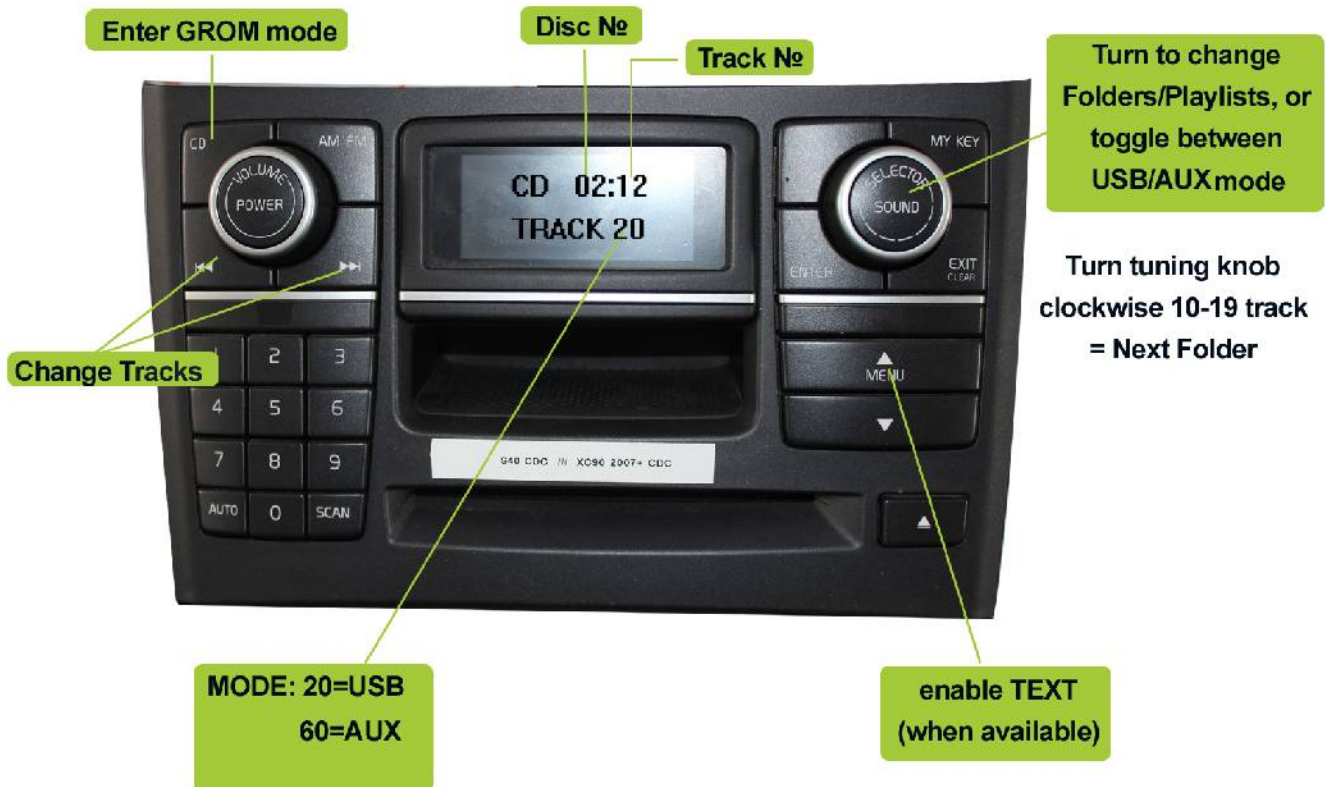
TRACK 60 = EXT2 or AUX MODE (AUXILIARY will appear on the display). Turn right Tuning knob **>** 20 tracks to switch to back to USB.

3. You can also use **EJECT** button to switch between the MODES. Press the **EJECT** button and it will jump between

TRACK 20 and **TRACK 60** without much effort. GROM will announce its current mode.

3.2 Quick button operation for Volvo Single CD

1. Press < or > button to change tracks
2. On the Single CD stereo you can create up to 59 Folders/Playlists with unlimited number of tracks on your USB memory device, Android device, iPod or iPhone.
3. **Track Time will show FOLDER and TRACK numbers. Minutes = Folder Number, Seconds = Track Number.**
4. To change Folders/Playlists use Tuning/Selector knob. Turn Tuning knob clockwise 10-19 tracks to jump into the next Folder/Playlist. If you want to go to the previous Folder/Playlist, turn the Selector/Tuning knob clock counter wise for -10-19 tracks.



4. USB MODE - Android Operation

4.1 Android Device Setup and Operation

The GROM-MST4 adapter when in USB mode allows you to connect your Android device directly to the GROM-MST4 USB port. You will need the GROM AALinQ app available on the Google Play store / Android marketplace (search for AALinQ) . Once you have AALinQ installed on your Android device, you can connect your Android to the USB port using your own or provided USB Android connector cable.

Depending on the version of your Android software and the phone model, you might need to disable or enable the USB Debugging option on your phone. If you plugged in your Android phone to the GROM device, and your adapter is not working, please go to the phone settings and either enable or disable the USB Debugging function.

1. To enable/disable USB Debugging, on Android device go to Settings → Applications → Development
2. Once you connect your Android device to GROM-MST4 and the GROM unit is in USB playback mode, AALinQ should automatically start playing a song from your Android device.

4.2 AALinQ operation with the GROM-MST4-VOLS

Android and USB stick functionality is essentially identical. Playlists on AALinQ will be mapped to Discs on the stereo. Skip tracks, change disc, fast forward, random, scan controls are identical to USB controls. Text of current song is displayed.

Disc 1 = On The Go

Disc 2 = depeshe mode

Disc 3 = favourites

Disc 4 = house

Current Song = Strangelove
Depeche Mode

Disc 1 will play “On The Go” playlist on the AALinQ app. Disc 2 or higher are your other playlists.

The playlists are assigned to the certain Disc according to the time of playlist creation.

Troubleshooting:

Symptom	Cause	Remedy
No music is coming from the car speakers or sound is distorted	GROM-MST4 is in the wrong mode	Make sure that you are in the USB playback mode
You can't hear the music in AALinQ	An empty album or playlist is selected on the AALinQ	Make sure that you select a playlist that has songs and it is not empty.
Music is not playing	You do not have USB Debugging enabled, and your Android is 2.3 and newer	To enable/disable USB Debugging, on Android device go to Settings → Applications → Development

5. USB MODE – USB stick / flash drive / external hard drive operation

5.1 Supported USB Storage Devices

All FAT16/32 formatted storages:

- USB sticks/hard drives



The GROM USB supports only FAT / FAT16 / FAT32 formatted storages. NTFS or exFAT are not supported!

5.2 Supported formats

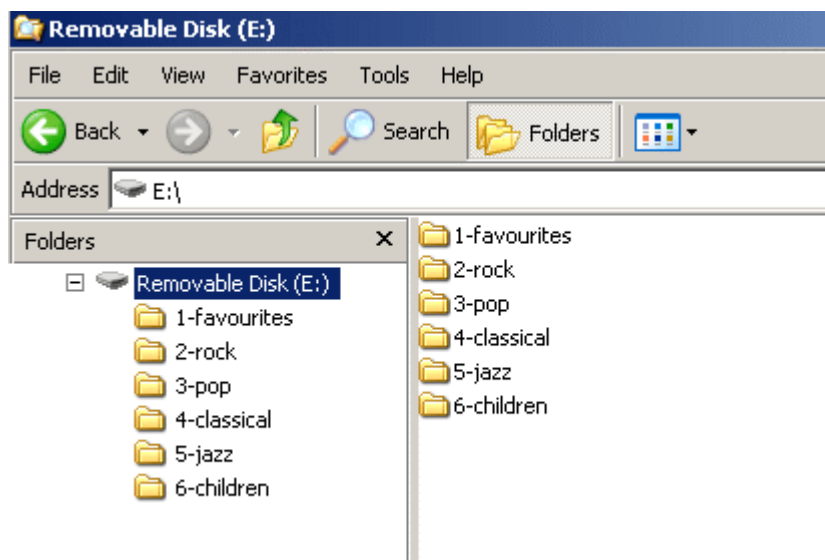
The GROM-USB supports the following formats:

- FLAC lossless
- MP3 with bitrates up to 320Kbps
- WMA with bitrates up to 389Kbps
- AAC / iTunes with bitrates up to 389Kbps
- OGG/Vorbis with bitrates up to 389Kbps
- VBR/CBR

Note 1: No digital rights management (DRM)-protected content will play directly through the GROM-MST4 adapter as such content is encrypted and signed by the media publisher. You need to burn such files to a CD and then rip them back with any capable software.

Note 2: AAC files stored on USB Flash Drives may have a delay of 5-10 seconds before the music starts playing.

5.3 USB Directories/Folders Setup



- You must set up the PLAYLISTS (FOLDERS/DIRECTORIES) on your USB device. You will need to set up at least one playlist. Without playlists the USB interface will not play the music.

- Create one directory (folder) for each disc your stereo supports. For Volvo with Single CD you can create up to 59 folders/playlists, and there is no limit for the number of the tracks in each folder.

- Name them with numbers (i.e., 1-Pop, 2-Rock, 3-Classic, etc); save all of your music into these directories.

- As soon as you connect the GROM-MST4 adapter to a USB portable data medium, GROM will translate root directories into virtual discs.

- We recommend that you have as many directories as possible on a root level as the car stereo will not recognize subdirectories. The GROM itself will enumerate subdirectories and turn them into a flat list of tracks.

- If filenames in a certain directory begin with digits, they will be played in ascending order based on the order of those digits in the filenames. For example:

\1-Dance\My songs\

1. Track.mp3

2. Track.mp3 (will play first according to the number)

- If filenames begin with letters, they are played in ascending order of the file creation date/time.
- If root directory starts with the number, the directory will be assigned to a respective virtual disc.

All MP3, WMA, iTunes, FLAC and OGG tracks will be enumerated and found once you select the appropriate disc.

Check USB Drive Setup guide at http://gromaudio.com/docs/Grom_USB_Setup.pdf

5.4 USB Basic Features

The GROM-MST4 adapter has the following functionality:

- Every directory in a root of the USB portable data medium becomes a virtual disc. Playlist on Android become virtual disc. Please note: directories with non-audio files (e.g., pictures, documents) located in the root will be recognized as empty virtual discs.
- All audio files within the root directory are enumerated and treated as TRACKS.
- The following operations are supported by the GROM-MST4:
 - o Change virtual disc/playlist
 - o Change tracks forward and backward
 - o Display track # and track title where available
 - o Restore last positions for up to 4 USB sticks
 - o Restore last playlist positions in up to 20 virtual discs

6. iPod/iPhone/iPad operation with USB to iPod cable

Once in the USB mode of GROM with iPod/iPhone/iPad plugged into to USB port of GROM the following operation are available:

A. Simple mode (iPod stays unlocked) :

1. Single CD stereo: turn Tuning knob to the left <10 tracks creates Simple iPod Mode (Disc №1).

iPod stays unlocked. Your iPod can be controlled via its clickwheel or via car stereo controls. The information displayed on your car stereo does not represent the actual song position on the iPod (the song's number). There is no need to prepare your iPod to play in this mode.

2. Available operations:

- Next track – use > button or turn Tuning knob to the right
- Previous track – use < button or turn Tuning knob to the left
- Fast Forward –press and hold > button
- Fast Reverse –press and hold < button

B. Advanced mode:

1. Single CD stereo: Turn Tuning knob to the right + 10-19 tracks will create Advanced iPod Mode Folder/Playlist 1

Your iPod is locked for control and only operated via car stereo buttons. Your iPhone or iPad stays unlocked in Advanced mode. You can see current information such as track time, number and playlist (disk) number. Text is also available for certain stereos. In order to use this mode you have to prepare your iPod as explained later.

The advanced mode is always on for playlists 2 and up.

2. “Ok to disconnect” is shown on the iPod display while it is connected to this unit. The clickwheel of the iPod is disabled when in this mode.

3. Available operations:

- Next track
- Previous track
- Next Playlist/Folder
- Previous Playlist/Folder

4. Playlist set up for Advanced Mode

To use your iPod in Advanced Mode you have to define playlists. We recommend naming the playlists starting with the number according to the desirable disk position.

1. Andy's songs

2. Kids
3. Disco dance
4. Favorites
5. House rhythms and so on.

If your iPod does not have playlists/songs it may cause unpredictable outcomes and improper operation of the unit.

EMPTY PLAYLISTS MAY ALSO CAUSE UNPREDICTABLE BEHAVIOURS, ESPECIALLY EMPTY PLAYLISTS THAT ARE LOCATED IN THE MIDDLE OF ALL OTHER PLAYLISTS.

C. WHEN THE CAR IGNITION IS OFF

When you turn your car stereo or car ignition off, the iPod will automatically will go into sleep mode. In the sleep mode, the iPod will still consume power—although very little—from the car battery. There is no need to disconnect the iPod every time you turn off your car.

However, it is strongly advised that you disconnect the iPod if you do not plan to operate your car for one week or more.

7. USB, Android and iPod MODE Operation Troubleshooting

Symptom	Cause	Remedy
No music is coming from the speaker	GROM-MST4 is in the wrong mode	Make sure that the correct mode (USB or AUX) is selected. Please refer to the chapters 2-3 of this manual.
The music is distorted.	GROM-MST4 is in the wrong mode	Make sure that the correct mode (USB or AUX) is selected. Please refer to the chapters 2-3 of this manual.
You can hear the music from the iPod but you can't control it from the stereo	iPod needs to be reset	Reset the iPod (resetting will not erase your music, it will only restart the iPod)
You can't hear the music from USB, Android or iPod	An empty album or playlist is selected on the USB, Android or iPod	Make sure that the non-empty album or playlist is selected on the USB or iPod
The music is distorted	EQ or BASS boost options are turned ON on the iPod	Make sure all EQ and BASS boost options are turned OFF on your iPod
The player is skipping the playlists on USB	You have empty playlists	Make sure there is no empty playlists on the USB drive

8. Bluetooth and AUX-IN

Note: Bluetooth Dongle and AUX cable are sold separately.

In the AUX mode you can connect any audio source via GROM MiniDin to 3.5mm phone jack cable.

8.1 AUX-IN input

You can connect any audio source via GROM MiniDin to 3.5mm phone jack cable (please refer to the section 1.8 of Install Manual, "optional accessories"). The GROM 3.5mm cable connects to the EXT2 port on the GROM-MST4 adapter and provides AUX-IN for any audio device. The charging USB connector on the GROM auxiliary cable (if available) provides 5V USB charging for most mobile devices.

To start using GROM as the auxiliary adapter, simply connect your audio source to the 3.5mm phone jack (EXT2) and then turn the audio source ON. Your stereo should be in the **AUX** GROM mode. Please refer to the Chapter 3.1 of this manual on

the MODE changes.

If the stereo is ON and in the CORRECT MODE – the device will be ready to play. You can control the connected device using its own controls. Please regulate and adjust the volume on the connected device for proper audio levels.

You can connect MP3/DVD player, Satellite and many other audio devices that have 3.5 mm plug. If your device has a different type of connector (RCA, 2.5mm, etc.) you can buy an extension adapter at your local stereo store or on GROM website.

Note: When the ignition is OFF the adapter will not automatically shut down the AUX-IN device. Please make sure to turn off the AUX-IN audio source manually. If you plan not to operate your car for one week and more, please disconnect AUX-IN audio source from the adapter. When you are using GROM-USB in a different mode other than AUX, please turn off AUX-IN audio source.

8.2 BLUETOOTH Dongle

You can also connect GROM Bluetooth Dongle (GROM-BTD) to the EXT1 or EXT2 port on the GROM-MST4 adapter for the hands free use of your mobile phone and wireless music play. Please refer to the GROM Bluetooth Dongle manual that is supplied with your Bluetooth Dongle. You can also access the manual online at GROM Audio website:

http://gromaudio.com/docs/bluetooth_manual.pdf.

If for some reason you need to reset the Bluetooth:

A. For Volvo S40/S60/V50/XC90 Single CD with SCAN button available:

To reset GROM-BTD memory, go to FM, then go to CD and press the SCAN function of the stereo 1-2 times. Should hear 2 low beeps from the speakers indicating reset. If your phone was connected to grom-car, when you do the reset it will disconnect from Bluetooth. If you have an old grom-car on the Bluetooth menu of your phone delete it, a new grom-car will pop up after the reset.

B. For Volvo S40/S60/V50/XC90 Single CD with SCAN function available in the menu:

It is easiest to save the SCAN function to your MYKEY button.

In CD mode, go the scan function in your stereo, press and hold MYKEY for a few seconds. Screen should say the function has been saved to mykey.

Then you can go to FM, then back to CD, then press MYKEY 1-2 times for the reset.

9. Support and Warranty

For technical support, please visit <http://gromaudio.com/support.html> and fill in the web form. The first available representative will answer your question.

For warranty information please refer to your Installation Manual.