



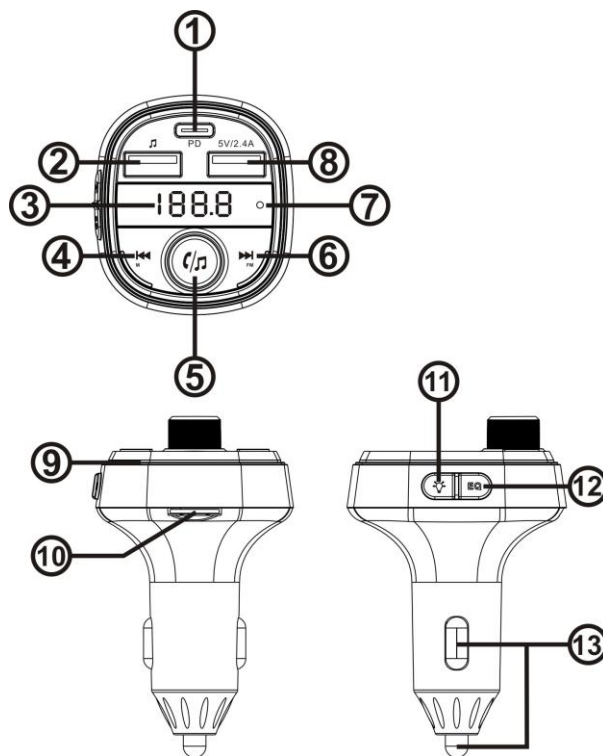
## ISMGM509E Instruction Manual

### Product Features

- Bluetooth hands-free functionality
- A2DP music streaming
- Dual USB inputs and USB-C input for device charging
- USB and Micro SD input for music playback
- Voice Assistant Support
- LED display
- Bass boost feature
- Rainbow LED ring



### Diagram



1. USB-C input
2. USB1: 2.4A charging / Media input
3. LED display
4. Back (Short press) Source (Long press)
5. Play, pause, pick-up / call back (Short press) / Voice assistant (Long press) / Volume +/- (Rotate)
6. Track + (Short press) / Enter FM mode (Long press)
7. Microphone
8. USB2: 2.4A charging
9. Rainbow LED ring
10. Micro SD Card slot
11. Change LED ring mode
12. Bass boost
13. 12V power

### User Guide

Plug the product into the car's 12V socket. It will automatically power on and the LED display will flash.

Turn on your car's FM radio and adjust the frequency of the product to the same as the radio

To adjust the FM frequency of the device, long press **▶▶** to enter frequency change mode. Then press **◀◀** and **▶▶** to adjust the frequency between FM 87.5 and 108.0Mhz. Wait three seconds without pressing a button to exit frequency change mode.

### Bluetooth Pairing

To pair your smartphone with the ISMGM509E, turn on the Bluetooth function of your smartphone and connect to 'CarKit'. Once connected, the smartphone can be used to stream music via A2DP or for hands-free calling.

### Hands-free Calling

During a call, sound will be output through the vehicle's speakers.

To answer an incoming call, press **☎** to answer and press **☎** again to hang up.

To reject an incoming call, press and hold **☎**

To redial the last dialed number, double press **☎**


### A2DP Streaming / Micro SD / USB Mode

Long press **◀◀** button to switch the mode: BT – USB – Micro SD.

After connecting the device via Bluetooth, select the

song to play or insert the Micro SD card or USB drive to automatically read and play stored music.


### Voice Assistant Support

After the device is paired via Bluetooth, you can 'wake up' the Voice Assistant by pressing holding the  button for 3 seconds. Note: some smartphones do not support this feature.

### Bass Boost function

Press the EQ button to activate bass boost mode. Press again to return to standard EQ.

### Rainbow LED function

Short press  to cycle through static colours for the RGB LED. Long press to set the LED to pulse.

## Technical Specifications

Rated working voltage	12V~24V
Limit working voltage	10-26V
<b>USB C output power</b>	<b>18W</b>
Working temperature	0-50°C
Music format	MP3 / WMA / WAV/ APE / FLAC
SNR	>60dB
Battery voltage display accuracy	Error±0.5V
<b>USB C output</b>	<b>5V/3A 9V/2A 12/1.5A</b>
<b>USB1 &amp; USB2 output</b>	<b>Total 5V/2.4A</b>
<b>Bluetooth version</b>	<b>Version 5.0</b>
Bluetooth sound processing	DSP and A2DP(Advance Audio Distribution Profile)
FM Transmission distance	10M
Effective distance of Bluetooth microphone	0.5-2 M
FM frequency	87.5-108MHz
Transmit FM mode	Stereo digital PLL lock frequency