

CAM-HS1



Commercial Camera with Heated Lens and Automatic Shutter

User Manual



EchoMaster.com

EchoMaster is a Power Brand of AAMP Global



email - technical.eu@aampglobal.com (Europe)

email - support@aampglobal.com (US)

Clearwater, Florida 38760

15500 Lightwave Drive, Suite 202



Introduction

Thank you for purchasing your EchoMaster automotive camera.

The following part numbers are supported:

- ▶ CAM-HS1-P
- ▶ CAM-HS1-N

EchoMaster cameras are designed to improve safety during driving by providing high quality images of surrounding areas and obstacles in the vicinity of the vehicle. They will also improve vehicle maneuvering capability by displaying blind spots not normally visible to the driver.

Please ensure you read and understand all aspects of this manual before fitting or using your EchoMaster Camera. Choose a suitable mounting place dependent on the application. Ensure that there are no wiring harnesses or hoses/pipes located behind this panel before drilling.

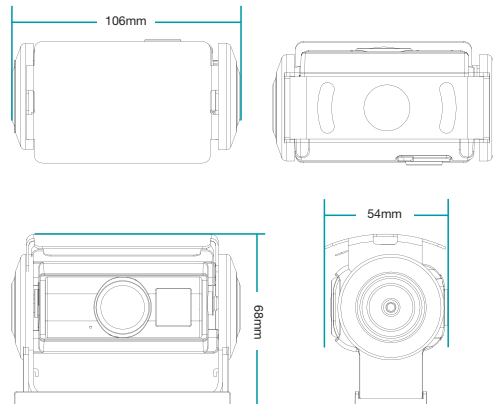
Key Features

- ▶ 1/4" CMOS Sensor
- ▶ Operates at 0.1 LUX
- ▶ IP69K Rated
- ▶ Automatic Heated Lens
- ▶ Shutter automatically closes when camera not in use to keep lens clean

Box Contents

- ▶ Camera
- ▶ 20m Loom
- ▶ Mounting Hardware
- ▶ Manual
- ▶ Bracket

Dimensions



Specifications

	CAM-HS-P CAM-HS-N	
Sensor Type	1/4" CMOS	
LEDs	8	
Illumination	0.1 LUX	
Viewing Angle	110 degrees	
Mirror Image	YES	
Normal Image	YES	
Water/Debris-Proof	IP69K	
Audio	YES	
Power Supply	11-16Volt	
Current	<150mA	
Working Temp	-20°C - +65°C	
Dimensions (mm)	D (54) x W (106) x H (68)	
System	PAL	NTSC
TV Lines	420	N/A
Resolution	682 x 504	N/A

Wiring Diagram

