

CAM-AU1



License Plate Light Replacement Camera for Select Audi Vehicles User Manual



EchoMaster.com
EchoMaster is a Power Brand of AAMP Global



15500 Lightwave Drive, Suite 202
Clearwater, Florida 38760
email - support@aampglobal.com (US)
email - technical.eu@aampglobal.com (Europe)



Introduction

Thank you for purchasing your EchoMaster automotive camera.

The following part numbers are supported:

- ▶ CAM-AU1-P
- ▶ CAM-AU1-N

EchoMaster cameras are designed to improve safety during driving by providing high quality images of surrounding areas and obstacles in the vicinity of the vehicle. They will also improve vehicle maneuvering capability by displaying blind spots not normally visible to the driver.

Please ensure you read and understand all aspects of this manual before fitting or using your EchoMaster Camera. Choose a suitable mounting place dependent on the application. Ensure that there are no wiring harnesses or hoses/pipes located behind this panel before drilling.

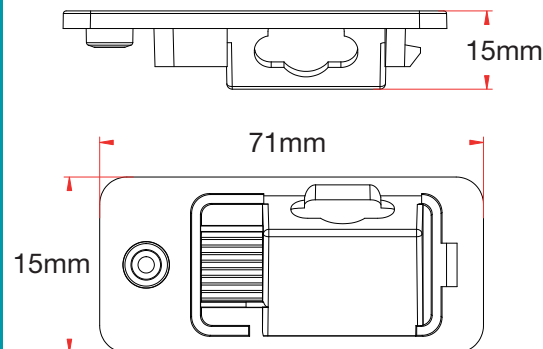
Key Features

- ▶ 1/4" CMOS Sensor
- ▶ Operates at 0.5 LUX
- ▶ License Plate Light
- ▶ IP67 Rated
- ▶ 150 Degree Viewing Angle

Box Contents

- ▶ Camera
- ▶ Manual
- ▶ Power Harness
- ▶ Video Harness

Dimensions



Specifications

	CAM-AU1-P CAM-AU1-N	
Sensor	1/4" CMOS	
LEDs	0	
Illumination	0.5 LUX	
Viewing Angle	150 degrees	
Mirror Image	Yes	
Normal Image	No	
Water/Debris-Proof	IP67	
Audio	NO	
Power Supply	12V DC	
Current	<300mA	
Working Temperature	20°C - +50°C	
Dimensions (mm)	D (15) x W (71) x H (15)	
System	PAL	NTSC
TV Lines	420	N/A
Resolution (HxV)	752 x 582	N/A

Wiring Diagram & Pin Out

