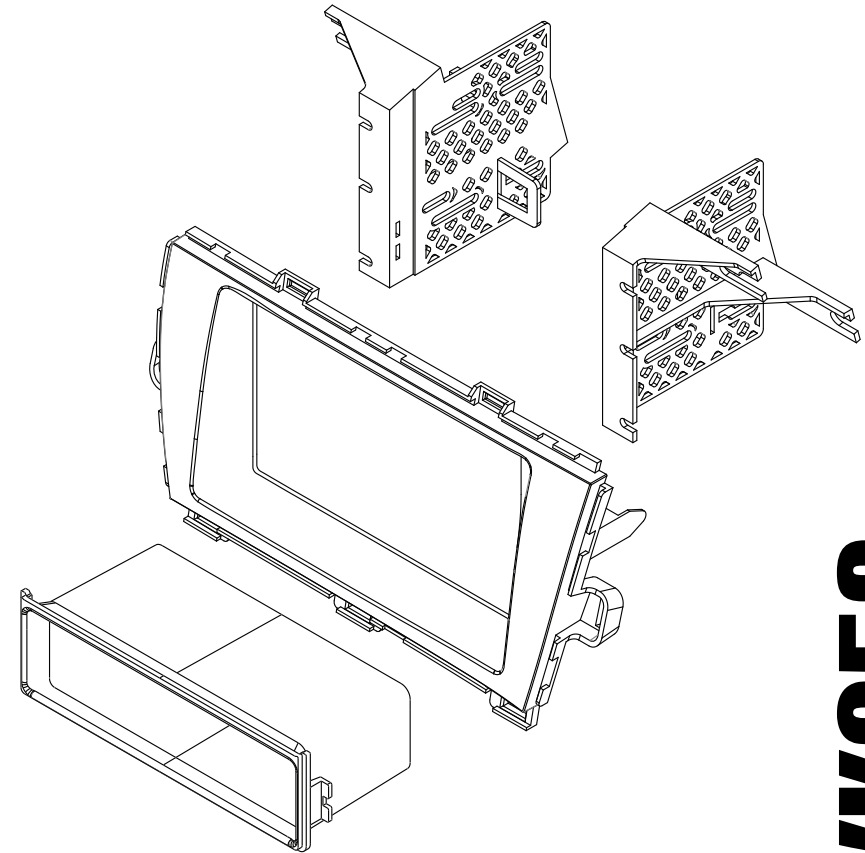


For information about other American International automotive accessories visit our website at:

<http://www.aius.net>



**American International**  
Car Stereo Installation Kits & Accessories



**TOYK953 Mounting Kit**



**American International**

**WWW.AIUS.NET**

2500 East Francis Street Ontario, CA 91761, U.S.A.

USA Sales (800) 336-6500

Canada Sales (888) 922-3006

**CUSTOMER HELP LINE**

**USA 800-323-4329 • Canada 800-245-8777**

iTOYK953

**VEHICLE APPLICATIONS**

**TOYOTA**

2010-15 PRIUS

## DASH DISASSEMBLY

1. Using a soft tool unsnap and remove the panel around the shifter.
2. Using a soft tool unsnap and remove the center console panel from the pocket to the passenger side of the radio.
3. Using a soft tool unsnap and remove the panel around the radio and climate controls.
4. Using a soft tool unsnap the ignition button trim panel, no need to remove completely.
5. From the OEM radio brackets remove (4) 10 mm bolts. Remove Radio.  
Unplug all harnesses and antenna connections.

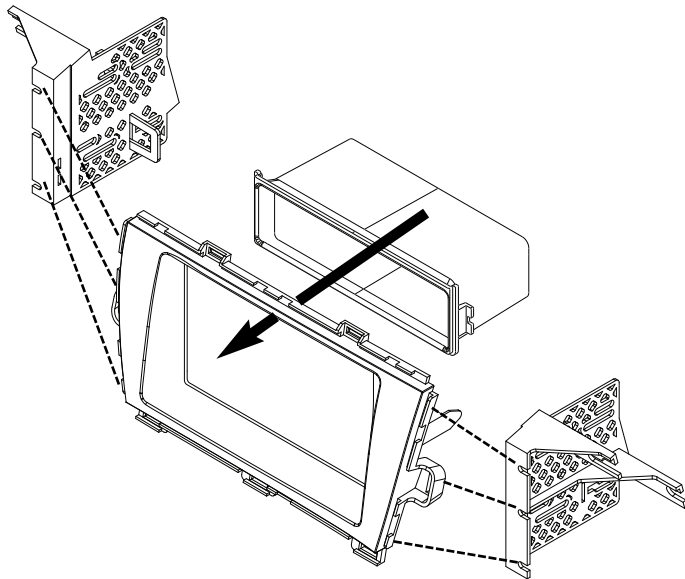
## KIT ASSEMBLY INSTRUCTIONS

### Single ISO Mount Applications

1. Insert pocket into lower section of the TOYK953 brackets
2. Install brackets to rear of main frame, using the(6) screws provided.
3. Insert ISO mountable radio between ISO mount brackets and loosely attach to sides of radio using screws provided with radio when possible, or screws supplied with kit.
4. Using the main frame of the TOYK953 as a guide, slide radio forward or backward for desired look and then tighten screws to the radio.

**NOTE:** Attach a rear support bracket to the rear of the new radio and adjust as necessary to support the weight of the radio. Suggested.

Fig A



### Double DIN Mount Applications

**See Fig B for bracket tab removal.**

1. Install brackets to rear of main frame, using the(6) screws provided.
2. Insert ISO mountable radio between ISO mount brackets and loosely attach to sides of radio using screws provided with radio when possible, or screws supplied with kit.
3. Using the main frame of the TOYK953 as a guide, slide radio forward or backward for desired look and then tighten screws to the radio.

**NOTE:** Attach a rear support bracket to the rear of the new radio and adjust as necessary to support the weight of the radio. Suggested.

Fig B

